

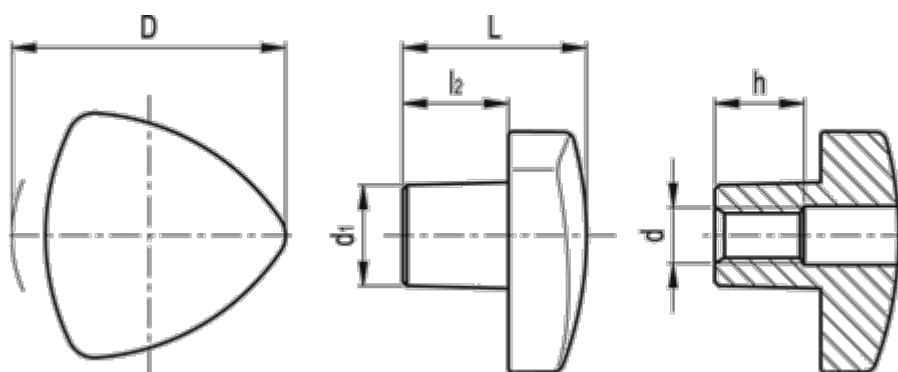
Data Sheet



Article number: 20065470

Description: E+G Lock knob GN 5339.5-60-M12-D-PL
St. steel

Measures



D	= 60
d	= M12
d1	= 20
h	= 20
L	= 41
l2	= 23
Weight (g)	= 230